

# Thermostats



Comfort



Energy savings



Ecological



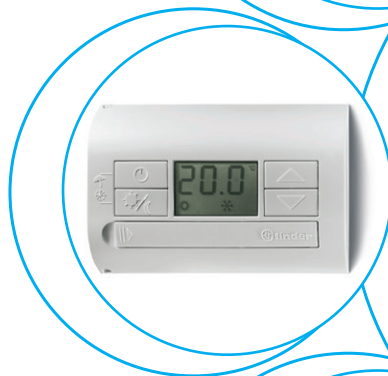
Flexibility



Heating and cooling



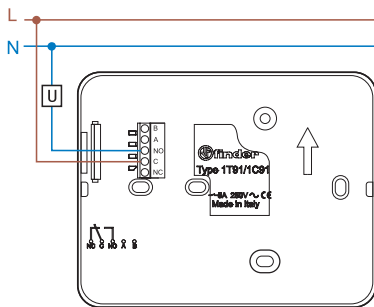
Building automation





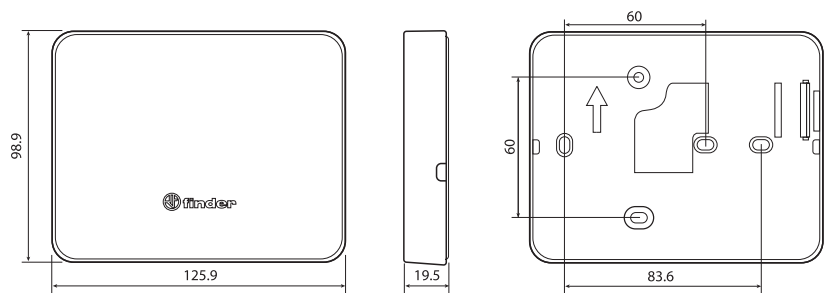
**Thermostat**

- Touch display with guided programming
- Stunning design
- Backlit touch keys
- Power supply: 2 1.5 V AA batteries
- 2 selectable temperatures (day/night)
- Summer/Winter switch
- PIN lock padlock function
- Temperature setting range 5-37°C
- Contact rating 5 A 250 V AC



Wiring diagram

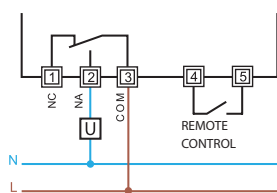
**NEW 1T.91**



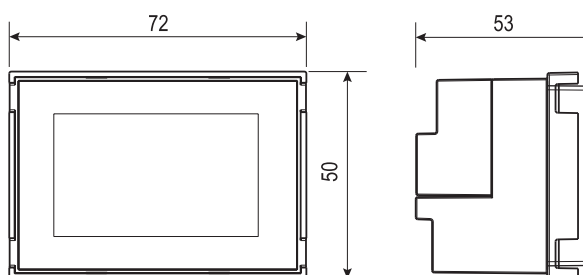
Colour	Thermostat
White	1T.91.9.003.0000
Technical features	
Sensing element	NTC
Supply	2 batteries 1.5 V AA
Contact configuration	1 CO (SPDT)
Contact rating	5 A/250 V AC
Display range	0...+50 °C
Temperature setting range	+5...+37 °C
Temperature differential	0.2 °C self regulation
Temperature rate of change	—
Nighttime set-back	YES
Independently set temperature levels	2 (day/night)
Thermostat lock	3 digit PIN
Protection category	IP 20
Mounting	Wall
Display resolution	0.1 °C
Accuracy at +20 °C	+/-0.5 °C
Frost Protection	+5 °C
Energy saving function	—
Push buttons	Backlit touch keys
Supervisory control	NO
Back-light display	YES
<b>Approvals</b> (according to type)	<b>CE EAC</b>

**Digital "touch" thermostat**

- Touch display with guided programming
- Bright backlighting
- ECO1 power-saving feature, supervisory control and PIN code
- Programmable with two operational temperature levels
- Functions: frost protection, pump anti-seizure and calibration functions
- Summer/Winter switch
- 2 level security - simple touch screen blocking or full 3-digit PIN lock
- Remote control input to change temperature or for switching On/Off
- Acoustic signal to confirm key operation
- Complete with adaptor for following frames:
  - ABB series Chiara
  - ABB series Mylos
  - Ave series S44
  - BTicino series Axolute
  - BTicino series Light
  - BTicino series Light tech
  - BTicino series Living
  - BTicino series Livinglight
  - BTicino series Matix
  - Gewiss series Chorus
  - Vimar series Eikon
  - Vimar series Eikon Evo
  - Vimar series Plana
  - Vimar series Arkè
  - Adapter type 01C.51 for BTicino series Livinglight Air switch plates



Wiring diagram

**1T.51****Colour**

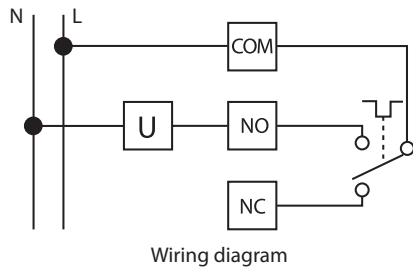
White	1T.51.9.003.0000
Black	1T.51.9.003.2000

**Technical features**

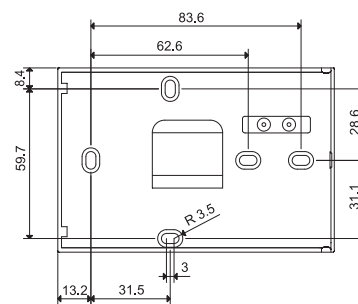
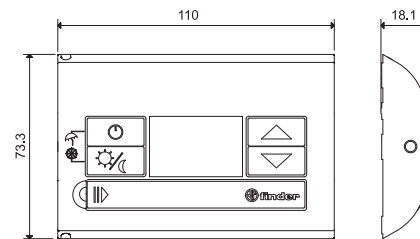
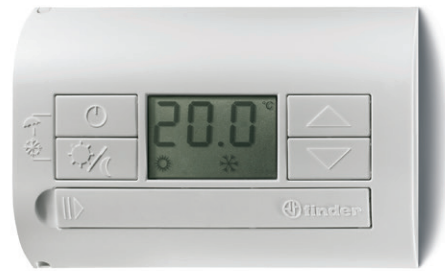
Sensing element	NTC
Supply	2 batteries 1.5 V AAA
Contact configuration	1 CO (SPDT)
Contact rating	5 A/250 V AC
Display range	0 - 50 °C
Temperature setting range	+5...+37 °C
Temperature differential	0.1...0.9 °C
Temperature rate of change	—
Nighttime set-back	YES
Independently set temperature levels	2 (day/night)
Thermostat lock	3 digit PIN
Protection category	IP20
Mounting	Recess (3 module box)
Display resolution	0.1 °C
Accuracy at +20 °C	+/-0.5 °C
Frost Protection	+2...+8 °C
Energy saving function	E1
Push buttons	Touch screen
Supervisory control	YES
Back-light display	YES
<b>Approvals</b> (according to type)	<b>CE ENEC</b>

**Digital room thermostat**

- Independently set temperatures for Day and Night
- Temperature range (+5...+37)°C
- Supply voltage: 3 V DC  
(2 batteries 1.5 V DC AAA)
- Thermostat lock
- Functions: OFF (with Frost protection)/ Summer/Winter
- Frost protection range (+2...+8)°C
- 1 changeover 5 A/250 V AC output
- On/Off hysteresis selectable (0.2 - 0.5)°C



**1T.31**



**Colour**

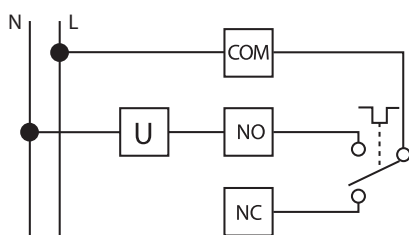
White	1T.31.9.003.0000
Black	1T.31.9.003.2000

**Technical features**

Sensing element	NTC
Supply	2 batteries 1.5 V AAA
Contact configuration	1 CO (SPDT)
Contact rating	5 A/250 V AC
Display range	0...+50 °C
Temperature setting range	+5...+37 °C
Temperature differential	0.2 - 0.5 °C
Temperature rate of change	—
Nighttime set-back	YES
Independently set temperature levels	2 (day/night)
Thermostat lock	Push buttons
Protection category	IP20
Mounting	Surface
Display resolution	0.1 °C
Accuracy at +20 °C	+/-0.5 °C
Frost Protection	+2...+8 °C
Energy saving function	—
Push buttons	Mechanical
Supervisory control	NO
Back-light display	NO
<b>Approvals</b> (according to type)	<b>CE EAC</b>

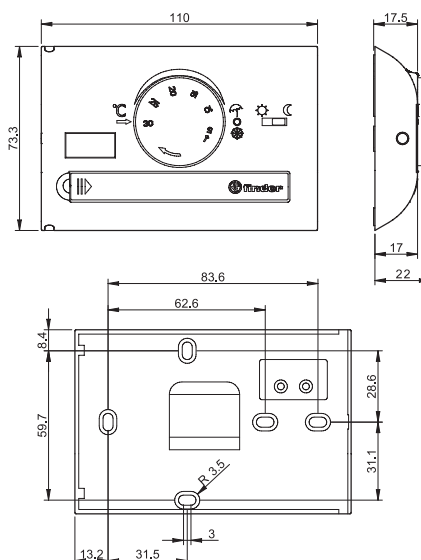
**Digital room thermostat**

- Temperature regulation from 5 to 33 °C
- Supply voltage: 3 V DC (2 batteries 1.5 V DC AAA)
- Functions: OFF (with Frost protection)/ Summer/Winter
- Programming: Day/Night (set-back by -3 °C)
- 1 changeover 5 A/250 V AC output
- Temperature setting range can be restricted, by internal mechanical blocking
- Display with:
  - Set temperature, actual temperature
  - Low battery
  - SUMMER/WINTER setting active
  - Heater/Air-conditioning ON



Wiring diagram

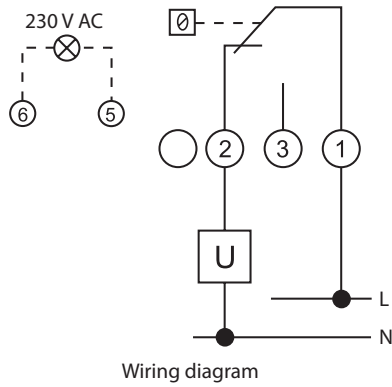
**1T.41**



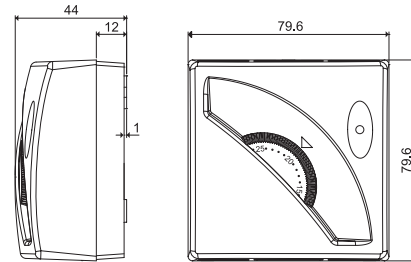
<b>Colour</b>	
White	1T.41.9.003.0000
Black	1T.41.9.003.2000
<b>Technical features</b>	
Sensing element	NTC
Supply	2 batteries 1.5 V AAA
Contact configuration	1 CO (SPDT)
Contact rating	5 A/250 V AC
Display range	0...+50 °C
Temperature setting range	+8...+30 °C (night set-back: <b>Winter</b> +5...+27 °C/ <b>Summer</b> +11...+33 °C)
Temperature differential	0.3 °C
Temperature rate of change	—
Nighttime set-back	YES (0.3 °C)
Independently set temperature levels	—
Thermostat lock	Mechanical
Protection category	IP20
Mounting	Surface
Display resolution	0.1 °C
Accuracy at +20 °C	+/-0.5 °C
Frost Protection	5 °C
Energy saving function	—
Push buttons	Mechanical
Supervisory control	NO
Back-light display	NO
<b>Approvals</b> (according to type)	<b>CE ENEC</b>

**Room thermostat**

- Temperature regulation (+7...+30)°C
- System operating - indicator light



**1T.01.0**



**Colour**

White

1T.01.0

**Technical features**

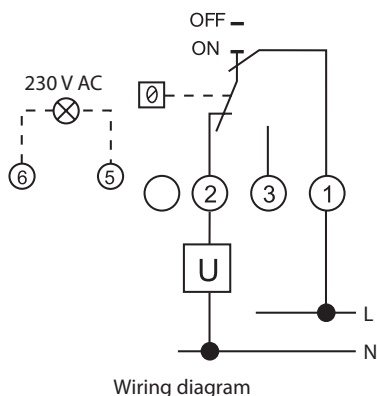
Sensing element	Gas bulb
Supply	—
Contact configuration	1 CO (SPDT)
Contact rating	16 A/250 V AC
Display range	—
Temperature setting range	+7...+30 °C
Temperature differential	0.4 - 0.8 °C
Temperature rate of change	1 °C/15 min
Nighttime set-back	—
Independently set temperature levels	—
Thermostat lock	Mechanical
Protection category	IP20
Mounting	Surface
Display resolution	—
Accuracy at +20 °C	—
Frost Protection	—
Energy saving function	—
Push buttons	—
Supervisory control	NO
Back-light display	NO

**Approvals** (according to type)

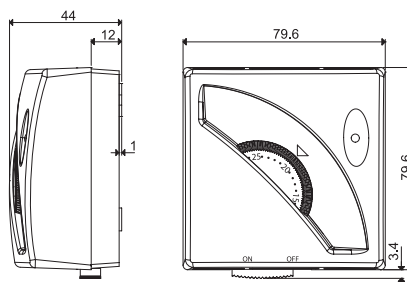


**Room thermostat with ON/OFF switch**

- ON/OFF switch
- Temperature regulation (+7...+30)°C
- System operating - indicator light



**1T.01.1**

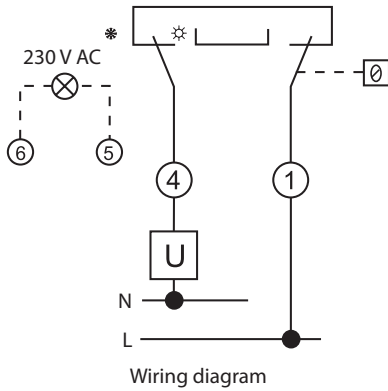


<b>Colour</b>	
White	1T.01.1
<b>Technical features</b>	
Sensing element	Gas bulb
Supply	—
Contact configuration	1 CO (SPDT)
Contact rating	16 A/250 V AC
Display range	—
Temperature setting range	+7...+30 °C
Temperature differential	0.4 - 0.8 °C
Temperature rate of change	1 °C/15 min
Nighttime set-back	—
Independently set temperature levels	—
Thermostat lock	Mechanical
Protection category	IP20
Mounting	Surface
Display resolution	—
Accuracy at +20 °C	—
Frost Protection	—
Energy saving function	—
Push buttons	—
Supervisory control	NO
Back-light display	NO
<b>Approvals</b> (according to type)	<b>CE ENEC</b>

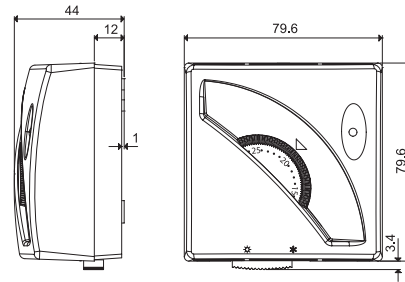


**Room thermostat with SUMMER/WINTER switch**

- SUMMER/WINTER switch
- Temperature regulation (+7...+30)°C
- System operating - indicator light



1T.01.2



**Colour**

White

1T.01.2

**Technical features**

Sensing element	Gas bulb
Supply	—
Contact configuration	1 CO (SPDT)
Contact rating	16 A/250 V AC
Display range	—
Temperature setting range	+7...+30 °C
Temperature differential	0.4 - 0.8 °C
Temperature rate of change	1 °C/15 min
Nighttime set-back	—
Independently set temperature levels	—
Thermostat lock	Mechanical
Protection category	IP20
Mounting	Surface
Display resolution	—
Accuracy at +20 °C	—
Frost Protection	—
Energy saving function	—
Push buttons	—
Supervisory control	NO
Back-light display	NO

**Approvals** (according to type)



